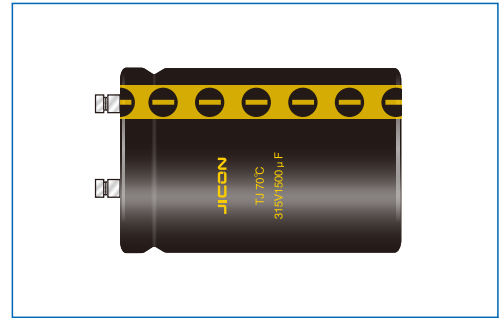


TJ 系列 SERIES

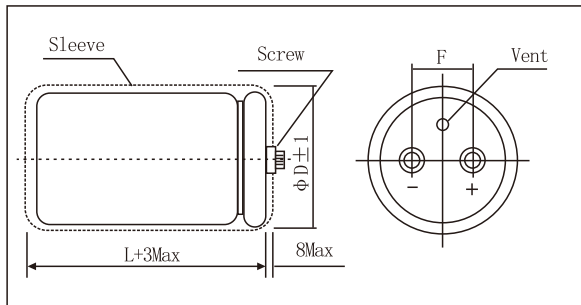
- Screw, Charge/discharge for welding machine
- Guarantees Charge/discharge 1,000, 000 cycles
- Complied to the RoHS directive



◆ SPECIFICATION

Items	Characteristics	
Operating Temperature Range (°C)	-25~+70°C	
Voltage range (V)	315~475V	
Capacitance Tolerance	±20% (at 20°C, 120Hz)	
Dissipation Factor (Tan δ)	U _R (V)	315~475
	tg δ	0.1
	(at 20°C, 120Hz)	
leakage current (µA)	I=3(C _R U _R) ^{1/2} (at 20°C, After 5 minutes application of rate voltage) I=Leakage Current U _R =Rated Voltage C _R =Rated Capacitance	
Load life	When the capacitors are restored to 20°C after the change and discharge of the rated voltage are repeated 1 million cycles at 40°C. One cycles shall make of 1.0 second including 0.8seconds of changing.	
	Capacitance change	Within ±20%initial value
	D. F. (Tan δ)	Not more than 200% of specified value
	leakage current	Not more than 200% of specified value

◆ DIMENSIONS(mm)



D	35	50.8	63.5	76	89	100
F	13	22	28	32	32	42

U _R (V)	315	450	475
Item	Case size D×L (mm)	Case size D×L (mm)	Case size D×L (mm)
Cap. (Mf)			
100			35×100
225			50.8×110
330	35×100	50.8×100	
470	50.8×100		76×120
1000	63.5×140		76×145
1500	76×120		
2200	76×160		