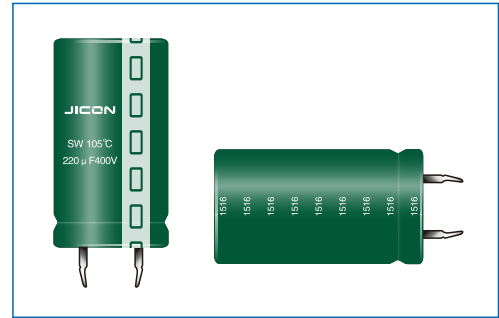


# SW 系列 SERIES

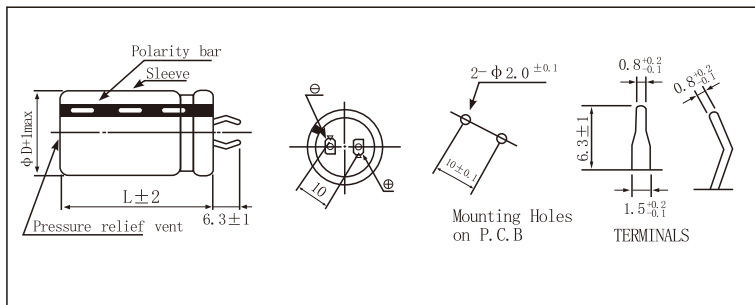
- Long Life : 105°C 3000h
- Professional Power Supplies
- Complied to the RoHS directive



## ◆ SPECIFICATION

Items	Characteristics						
Operating Temperature Range(°C)	-25~+105						
Voltage range (V)	160~450V						
Capacitance Range (µF)	56~2200 µF						
Capacitance Tolerance	±20% (at20°C, 120Hz)						
leakage current (µA)	I=0.01C <sub>R</sub> U <sub>R</sub> or 1.5mA whichever is smaller. (at20°C, After 5 minutes application of rated voltage) I=Leakage Current UR=Rated Voltage CR=Rated Capacitance						
Dissipation Factor(Tan δ)	<table border="1"> <tr> <td>WV (V)</td> <td>160-400</td> <td>450</td> </tr> <tr> <td>Tan δ (max)</td> <td>0.15</td> <td>0.20</td> </tr> </table> (at 20°C, 120Hz)	WV (V)	160-400	450	Tan δ (max)	0.15	0.20
WV (V)	160-400	450					
Tan δ (max)	0.15	0.20					
Low Temperature Characteristics	<table border="1"> <tr> <td>Rated Voltage (V)</td> <td>160-450</td> </tr> <tr> <td>Impedance Ratio</td> <td>Z-25°C/Z+20°C 4</td> </tr> </table>	Rated Voltage (V)	160-450	Impedance Ratio	Z-25°C/Z+20°C 4		
Rated Voltage (V)	160-450						
Impedance Ratio	Z-25°C/Z+20°C 4						
Load Life	<p>The following specifications shall be satisfied when the capacitors are restored to 20°C after subjected to DC voltage with the rated rippled current is applied for 3000 hours at 105°C .</p> <table border="1"> <tr> <td>Capacitance change</td> <td>Within± 20%initial value</td> </tr> <tr> <td>D. F. (Tan δ)</td> <td>Not more than 200% of specified value</td> </tr> <tr> <td>leakage current</td> <td>Not more than specified value</td> </tr> </table>	Capacitance change	Within± 20%initial value	D. F. (Tan δ)	Not more than 200% of specified value	leakage current	Not more than specified value
Capacitance change	Within± 20%initial value						
D. F. (Tan δ)	Not more than 200% of specified value						
leakage current	Not more than specified value						
Shelf Life	<p>The following specifications shall be satisfied when the capacitors are restored to 20°C after exposing them for 1,000 hours at 105°C without voltage applied .Before the measurement ,the capacitor shall be preconditioned by applying voltage according to Item 4.1 of JIS C 5101-4.</p> <table border="1"> <tr> <td>Capacitance change</td> <td>Within ±20%initial value</td> </tr> <tr> <td>D. F. (Tan δ)</td> <td>Not more than 200% of specified value</td> </tr> <tr> <td>leakage current</td> <td>Not more than 200% of specified value</td> </tr> </table>	Capacitance change	Within ±20%initial value	D. F. (Tan δ)	Not more than 200% of specified value	leakage current	Not more than 200% of specified value
Capacitance change	Within ±20%initial value						
D. F. (Tan δ)	Not more than 200% of specified value						
leakage current	Not more than 200% of specified value						

## ◆ DIMENSIONS(mm)



## ◆ Frequency Coefficient

Voltage (V)	Frequency				
	50/60Hz	120Hz	1KHz	10KHz	≥20KHz
160~250WV	0.87	1.00	1.11	1.18	1.20
≥350WV	0.80	1.00	1.14	1.14	1.20

## ◆ Temperature Coefficient

Temperature (°C)	+40	+55	+70	+85	+105
Coefficient	2.7	2.5	2.1	1.7	1.0

**SW** 系列  
SERIES

◆ STANDARD RATINGS

UR (Surge Voltage) Code	Rated Capacitance	Max ESR 20°C 120Hz	Rated Ripple Current 105°C 120Hz	Size φD×L
(V)	(μF)	(mΩ)	(mA rms)	(mm)
160V (200) 2C	330	603	1160	22×25
	390	510	1430	22×30
	470	424	1520	22×35
		424	1550	25×25
	560	355	1620	22×40
		355	1730	25×30
	680	293	1700	22×45
		293	1810	25×35
	820	243	1910	22×50
		243	1980	25×40
		243	1980	30×30
		243	1930	35×25
	1000	199	2040	25×45
		199	2140	30×35
		199	2220	35×30
	1200	166	2120	25×50
		166	2220	30×40
		166	2400	35×30
1500	133	2460	30×45	
	133	2530	35×35	
1800	111	2980	35×45	
2200	91	3100	35×50	
200V (250) 2D	220	905	1080	22×25
	270	737	1150	22×25
	330	603	1300	22×30
		603	1350	25×25
	390	510	1410	22×35
	470	424	1500	22×40
		424	1470	25×30
		424	1560	30×25
	560	355	1580	22×45
		355	1600	25×35
	680	293	1780	22×50
		293	1800	25×40
		293	1820	30×30
		293	1860	35×25
	820	243	1970	25×50
		243	1990	30×35
		243	2070	35×30
	1000	199	2170	30×45
199		2220	35×35	
1200	166	2320	30×50	
	166	2420	35×40	
1500	133	2590	35×45	
1800	111	2700	35×50	
250V (300) 2E	180	1106	940	22×25
	220	905	1100	22×30
		905	1150	25×25
	270	737	1130	22×35
	330	603	1200	22×40
		603	1300	25×30
		603	1300	30×25
	390	510	1410	22×45
510		1420	25×35	

**SW** 系列  
SERIES

◆ STANDARD RATINGS

UR (Surge Voltage) Code	Rated Capacitance	Max ESR 20°C 120Hz	Rated Ripple Current 105°C 120Hz	Size ΦD×L	
(V)	(μF)	(mΩ)	(mA rms)	(mm)	
250V (300) 2E	470	424	1480	22×50	
		424	1470	25×40	
		424	1510	30×30	
	560	560	355	1590	25×45
			355	1570	30×35
			355	1560	35×30
	680	680	293	1660	25×50
			293	1680	30×40
	820	820	243	1830	30×45
			243	1820	35×35
	1000	1000	199	1870	30×50
			199	1990	35×40
1200	1200	166	2100	35×45	
1500	1500	133	2250	35×50	
350 (400) 2V	68	2927	560	22×25	
	100	1990	700	22×30	
		1990	700	25×25	
	120	1659	730	22×35	
		1327	790	22×40	
	150	150	1327	820	25×30
			1327	820	30×25
			1106	810	22×45
	180	180	1106	890	25×35
			1106	900	30×30
			905	930	22×50
	220	220	905	970	25×40
			905	980	35×25
			737	1010	25×50
	270	270	737	1050	30×35
			737	1100	35×30
			603	1160	30×45
	330	330	603	1160	35×35
510			1260	30×50	
390	390	510	1260	35×40	
		424	1350	35×45	
560	560	355	1510	35×50	
400V (450) 2G	68	2927	470	22×25	
	82	2427	560	22×30	
		2427	560	25×25	
	100	1990	620	22×30	
		1659	660	22×35	
	120	1659	680	25×30	
		1327	730	22×40	
	180	180	1106	780	22×50
			1106	820	25×40
			1106	830	30×30
			1106	860	35×25
	220	220	905	870	25×45
			905	960	30×35
	270	270	737	940	25×50
			737	950	30×40
737			970	35×30	

**SW** 系列  
SERIES

◆ STANDARD RATINGS

UR (Surge Voltage) Code	Rated Capacitance	Ma × ESR 20°C 120Hz	Rated Ripple Current 105°C120Hz	Size φD×L
(V)	(μF)	(mΩ)	(mA rms)	(mm)
400V (450) 2G	330	603	1110	30×45
		603	1130	35×35
	390	510	1150	30×50
		510	1260	35×40
	470	424	1310	35×45
	560	355	1500	35×50
1000	335	2000	35×70	
450V (500) 2W	56	4739	470	22×25
	68	3903	560	22×30
		3903	560	25×25
	82	3237	640	22×35
	100	2654	700	22×40
		2654	700	25×30
	120	2212	730	22×45
		2212	750	25×35
	150	1769	800	22×50
		1769	820	25×40
		1769	830	30×30
	180	1474	870	25×45
		1474	860	30×35
	220	1206	940	25×50
		1206	950	30×40
		1206	910	35×30
	270	983	1110	30×45
		983	1130	35×35
330	804	1150	30×50	
	804	1260	35×40	
390	681	1310	35×45	
470	565	1500	35×50	

Customer products are available on request