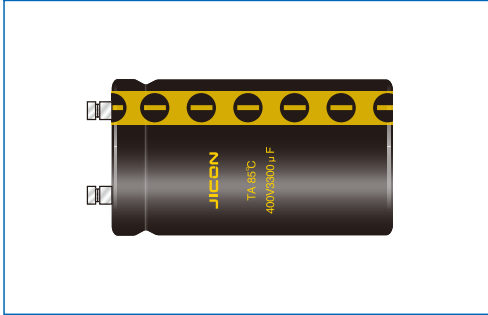


TA 系列 SERIES

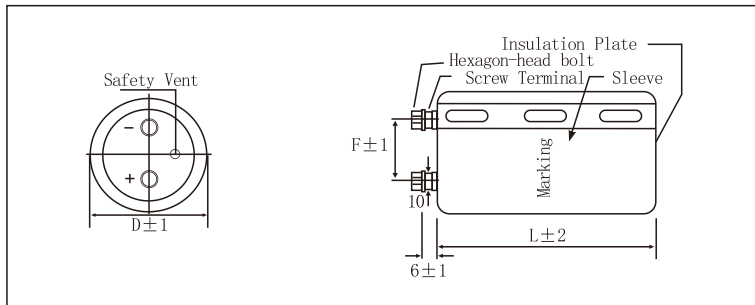
- High Ripple current
- Load life : 85°C 5000 hours
- Complied to the RoHS directive



◆ SPECIFICATION

Items	Characteristics								
Operating Temperature Range(°C)	-25~+85°C								
Voltage range (V)	350~500V								
Capacitance Range (µF)	270~22000 µF								
Capacitance Tolerance	±20% (at 20°C, 120Hz)								
Dissipation Factor(Tan δ)	<table border="1"> <tr> <td>U_R(V)</td> <td>350</td> <td>400-450</td> <td>500</td> </tr> <tr> <td>tg δ</td> <td>0.2</td> <td>0.2</td> <td>0.25</td> </tr> </table> (at 20°C, 120Hz)	U _R (V)	350	400-450	500	tg δ	0.2	0.2	0.25
U _R (V)	350	400-450	500						
tg δ	0.2	0.2	0.25						
leakage current (µA)	I=0.01C _R U _R or 5mA (at 20°C, After 5 minutes application of rate voltage) I=Leakage Current U _R =Rated Voltage C _R =Rated Capacitance								
Load Life	The following specifications shall be satisfied when the capacitors are restored to 20°C after subjected to DC voltage with the rated rippled current is applied for 5000 hours at 85°C <table border="1"> <tr> <td>Capacitance change</td> <td>Within ±20%initial value</td> </tr> <tr> <td>D. F. (Tan δ)</td> <td>Not more than 200% of specified value</td> </tr> <tr> <td>leakage current</td> <td>Not more than specified value</td> </tr> </table>	Capacitance change	Within ±20%initial value	D. F. (Tan δ)	Not more than 200% of specified value	leakage current	Not more than specified value		
Capacitance change	Within ±20%initial value								
D. F. (Tan δ)	Not more than 200% of specified value								
leakage current	Not more than specified value								
Shelf Life	After leaving capacitors under no load at 85° C for 1000 hours, they meet the characteristic requirements listed at right. <table border="1"> <tr> <td>Capacitance change</td> <td>Within ±20%initial value</td> </tr> <tr> <td>D. F. (Tan δ)</td> <td>Not more than 200% of specified value</td> </tr> <tr> <td>leakage current</td> <td>Not more than 200% of specified value</td> </tr> </table>	Capacitance change	Within ±20%initial value	D. F. (Tan δ)	Not more than 200% of specified value	leakage current	Not more than 200% of specified value		
Capacitance change	Within ±20%initial value								
D. F. (Tan δ)	Not more than 200% of specified value								
leakage current	Not more than 200% of specified value								

◆ DIMENSIONS(mm)



D	35	50.8	63.5	76	89	100
F	13	22	28	32	32	42

◆ Frequency Coefficient

Frequency (Hz)	60	120	1k	10k	100k
Coefficient	0.7	1	1.25	1.4	1.6

◆ Temperature Coefficient

Temperature (°C)	+40	+55	+70	+85
Rated Voltage (V)	2.7	2.2	1.7	1.0

TA 系列 SERIES

◆ STANDARD RATINGS

UR (Surge Voltage) Code	Rated Capacitance	Rated Ripple Current 85°C 120Hz	Size φD×L
(V)	(μF)	(A rms)	(mm)
350V (400) 2V	390	1.7	35×50
	470	1.9	35×60
	560	2.1	35×60
	680	2.4	35×70
	820	2.7	35×80
	1000	3.0	35×90
	1200	3.6	50.8×60
	1500	4.3	50.8×70
	1800	4.9	50.8×80
	2200	5.7	50.8×90
	2700	7.0	50.8×105
	3300	8.1	63.5×90
	3900	9.5	63.5×105
	4700	7.3	63.5×105
	5600	8.4	63.5×115
	6800	9.7	63.5×140
	8200	11.0	76×130
	10000	12.8	76×160
12000	14.0	89×130	
15000	16.6	89×160	
18000	22.5	89×190	
22000	26.0	89×220	
400 (450) 2G	330	1.5	35×50
	390	1.7	35×60
	470	1.9	35×60
	560	2.2	35×70
	680	2.5	35×80
	820	2.9	35×90
	1000	3.2	50.8×70
	1200	3.7	50.8×80
	1500	4.6	50.8×90
	1800	5.2	50.8×105
	2200	6.1	50.8×120
	2700	7.1	63.5×100
	3300	8.3	63.5×115
	3900	9.6	63.5×140
	4700	10.4	76×115
	5600	12.2	76×130
	6800	13.9	76×145
	8200	16.3	89×130
	10000	18.5	89×150
	12000	21.6	89×170
15000	25.2	89×210	
18000	28.2	100×220	
22000	33.0	100×250	

UR (Surge Voltage) Code	Rated Capacitance	Rated Ripple Current 85°C 120Hz	Size φD×L
(V)	(μF)	(A rms)	(mm)
450 (500) 2W	270	1.3	35×50
	330	1.6	35×60
	390	1.7	35×70
	470	1.9	35×80
	560	2.2	35×90
	680	2.5	35×100
	820	3.0	50.8×70
	1000	3.5	50.8×80
	1200	4.1	50.8×90
	1500	4.7	50.8×100
	1800	5.6	50.8×115
	2200	6.3	63.5×100
	2700	7.5	63.5×115
	3300	8.7	63.5×140
	3900	9.9	63.5×160
	4700	11.0	63.5×160
	5600	12.4	76×160
	6800	14.5	76×180
	8200	16.5	89×150
	10000	19.3	89×180
12000	22.2	89×210	
15000	25.7	100×220	
18000	28.7	100×250	
500 (550) 2H	1200	6.2	50.8×115
		6.3	63.5×96
	1500	7.3	50.8×130
		7.1	63.5×96
	1800	8.3	63.5×115
	2200	9.6	63.5×130
	2700	10.7	76×115
	3300	12.4	76×130
	3900	14.4	76×155
	4700	16.5	76×171
		15.8	89×131
	5600	19	76×195
		18.6	89×157
	6800	21.2	89×171
	8200	24.5	89×196
		24.2	100×175
10000	29.3	89×236	
	27.9	100×195	
12000	33.1	100×237	

Customer products are available on request