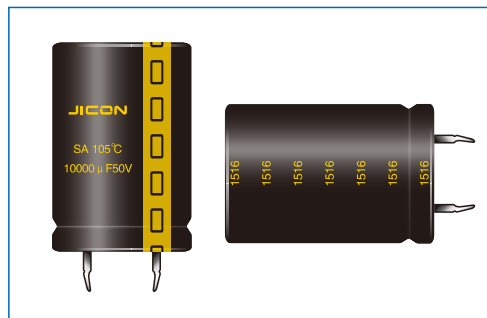


SA 系列 SERIES

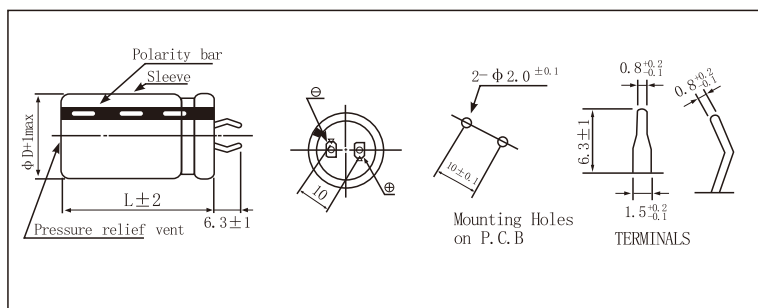
- 2000h at 105°C
- Miniatured
- design for high grade audio equipment , giving priority to high fidelity sound quality.



◆ SPECIFICATION

Items	Characteristics																	
Operating Temperature Range(°C)	-40~+105°C																	
Voltage range (V)	25~110V																	
Capacitance Range (μF)	680~33000 μF																	
Capacitance Tolerance	±20% (at 20°C, 120Hz)																	
leakage current (μA)	$I \leq 3\sqrt{CV}$ (μA) (After 5 minutes' application of rated voltage) A: Nominal Capacitance (μF) V : Rated Voltage (V)																	
Dissipation Factor(Tan δ)	<table border="1"> <tr> <td>WV (V)</td> <td>25</td> <td>35</td> <td>50</td> <td>63</td> <td>80</td> <td>100</td> <td>110</td> </tr> <tr> <td>Tan δ (max)</td> <td colspan="3">0.30</td> <td colspan="4">0.25</td> </tr> </table> (at 20°C, 120Hz)		WV (V)	25	35	50	63	80	100	110	Tan δ (max)	0.30			0.25			
WV (V)	25	35	50	63	80	100	110											
Tan δ (max)	0.30			0.25														
Low Temperature Characteristics	<table border="1"> <tr> <td>Rated Voltage (V)</td> <td>25~110V</td> </tr> <tr> <td>Impedance</td> <td>Z-25°C/Z+20°C 4</td> </tr> <tr> <td>Ratio</td> <td>Z-40°C/Z+20°C 12</td> </tr> </table> (at 120Hz)		Rated Voltage (V)	25~110V	Impedance	Z-25°C/Z+20°C 4	Ratio	Z-40°C/Z+20°C 12										
Rated Voltage (V)	25~110V																	
Impedance	Z-25°C/Z+20°C 4																	
Ratio	Z-40°C/Z+20°C 12																	
Load Life	The following specifications shall be satisfied when the capacitors are restored to 20°C after subjected to DC voltage with the rated rippled current is applied for 2000 hours at 105°C . <table border="1"> <tr> <td>Capacitance change</td> <td>Within ±20%initial value</td> </tr> <tr> <td>D. F. (Tan δ)</td> <td>Not more than 200% of specified value</td> </tr> <tr> <td>leakage current</td> <td>Not more than specified value</td> </tr> </table>		Capacitance change	Within ±20%initial value	D. F. (Tan δ)	Not more than 200% of specified value	leakage current	Not more than specified value										
Capacitance change	Within ±20%initial value																	
D. F. (Tan δ)	Not more than 200% of specified value																	
leakage current	Not more than specified value																	
Shelf Life	The following specifications shall be satisfied when the capacitors are restored to 20°C after exposing them for 1,000 hours at 105°C without voltage applied. Before the measurement , the capacitor shall be preconditioned by applying voltage according to Item 4.1 of JIS C 5101-4. <table border="1"> <tr> <td>Capacitance change</td> <td>Within ±20%initial value</td> </tr> <tr> <td>D. F. (Tan δ)</td> <td>Not more than 200% of specified value</td> </tr> <tr> <td>leakage current</td> <td>Not more than 200% of specified value</td> </tr> </table>		Capacitance change	Within ±20%initial value	D. F. (Tan δ)	Not more than 200% of specified value	leakage current	Not more than 200% of specified value										
Capacitance change	Within ±20%initial value																	
D. F. (Tan δ)	Not more than 200% of specified value																	
leakage current	Not more than 200% of specified value																	

◆ DIMENSIONS(mm)



◆ Temperature Coefficient

Temperature(°C)	+40	+55	+70	+85	+105
Coefficient	2.7	2.5	2.1	1.7	1.00

◆ Frequency Coefficient

Frequency (Hz)	50/60	120	1K	10k
Coefficient	0.95	1	1.1	1.15



◆ STANDARD RATINGS

UR (Surge Voltage) Code	Rated Capacitance	Rated Ripple Current 105°C 120Hz	Size $\phi D \times L$
(V)	(μF)	(mA rms)	(mm)
25V (32) 1E	3300	1400	22×20
	4700	1500	25×20
	5600	1650	22×25
	6800	1950	22×30
		1950	25×25
		1950	30×20
	8200	2250	22×35
	10000	2450	22×40
		2450	25×30
		2450	30×25
		2450	35×20
	12000	2650	22×45
		2650	25×35
		2650	30×30
	15000	2650	35×25
		3000	22×50
	18000	3000	25×40
		3350	25×50
		3350	30×35
	22000	3350	35×30
3750		30×45	
3750		35×35	
27000	4200	30×50	
	4200	35×40	
33000	4600	35×45	
35V (44) 1V	2200	1400	22×20
	3300	1500	25×20
	3900	1700	22×25
	4700	2100	22×30
		2100	30×20
	5600	2250	22×35
		2250	25×25
	6800	2500	22×40
		2500	25×30
		2500	35×20
	8200	2700	22×45
		2700	25×35
		2700	30×25
	10000	2950	22×50
		2950	25×40
		2950	30×30
		2950	35×25
	12000	3250	25×45
		3250	30×35
		3250	35×30
15000	3700	30×40	
18000	4050	30×50	
	4050	35×35	
22000	4400	35×40	
27000	4800	35×50	
50V (63) 1H	1500	1450	22×20
	1800	1600	22×20
	2200	1750	22×25
		1750	25×20
	2700	1900	30×20
3300	2150	22×30	
	2150	25×25	

UR (Surge Voltage) Code	Rated Capacitance	Rated Ripple Current 105°C 120Hz	Size $\phi D \times L$
(V)	(μF)	(mA rms)	(mm)
50V (63) 1H	3900	2300	22×35
		2300	25×30
		2300	35×20
	4700	2550	22×40
		2550	30×25
		2800	22×45
	5600	2800	25×35
		2800	30×30
		3150	25×45
	6800	3150	30×35
		3150	35×25
		3450	30×40
	8200	3450	35×30
		3850	30×45
	10000	3850	35×35
		4200	30×50
	12000	4200	35×40
		4550	35×45
15000	4900	35×50	
63V (79) 1J	1200	1500	22×20
	1500	1650	25×20
	1800	1800	22×25
	2200	2000	30×20
	2700	2250	22×30
		2250	25×25
	3300	2450	22×35
		2450	25×30
		2450	35×20
	3900	2700	22×40
		2700	25×35
		2700	30×25
	4700	3000	22×45
		3000	25×40
		3000	30×30
		3000	35×25
	5600	3300	25×45
		3300	30×35
6800	3650	25×50	
	3650	30×40	
	3650	35×30	
8200	4050	30×45	
	4050	35×35	
10000	4400	30×50	
	4400	35×40	
12000	4750	35×45	
80V (100) 1K	820	1400	22×20
	1000	1550	25×20
	1200	1700	22×25
	1500	1950	30×20
	1800	2250	22×30
		2250	25×25
	2200	2450	22×35
		2450	25×30
		2450	35×20
	2700	2700	22×45
		2700	25×35
		2700	30×25
	3300	3000	22×50
		3000	25×40
		3000	30×30
		3000	35×25
		3000	35×25

SA 系列 SERIES

◆ STANDARD RATINGS

UR (Surge Voltage) Code	Rated Capacitance	Rated Ripple Current 105°C 120Hz	Size $\phi D \times L$
(V)	(μF)	(mA rms)	(mm)
80V (100) 1K	3900	3300	25×45
		3300	30×35
	4700	3600	25×50
		3600	30×40
		3600	35×30
	5600	3950	30×45
		3950	35×35
	6800	4250	30×50
		4250	35×40
	8200	4550	35×45
10000		4700	35×50
100V (125) 2A	680	1600	25×20
		1750	22×25
	820	1950	22×30
		1950	25×25
		1950	30×20
	1000	2150	22×35
		2450	22×40
	1200	2450	25×30
		2450	30×25
		2450	35×20
		2700	22×45
	1500	2700	25×35
		2700	30×30
		2950	22×50
	1800	2950	25×40
		2950	35×25
		3200	25×50
	2100	3200	30×35
		3200	35×30
		3600	30×40
	2400	3600	35×35
		4000	30×50
	2700	4000	35×40
		4300	35×45
	3000	4700	35×50
		4700	4700

UR (Surge Voltage) Code	Rated Capacitance	Rated Ripple Current 105°C 120Hz	Size $\phi D \times L$
(V)	(μF)	(mA rms)	(mm)
110V (138) 2B	680	1750	22×25
		1850	22×30
	820	1850	25×25
		2050	22×35
		2050	25×30
	1000	2050	30×20
		2200	22×40
		2200	25×30
		2200	30×25
	1200	2200	35×20
		2550	22×45
		2550	25×35
		2550	30×30
	1500	2550	35×25
		2850	22×50
		2850	25×40
	1800	3100	25×45
		3100	30×35
		3100	35×30
	2100	3350	30×40
		3350	35×35
		3750	30×50
	2400	3750	35×40
		4200	35×45
	2700	4700	35×50
		4700	4500

Customer products are available on request