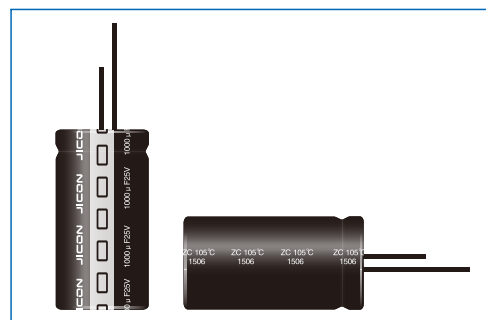


ZC 系列 SERIES

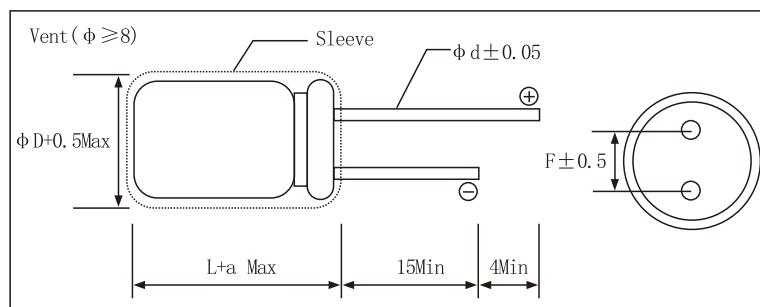
- 2000~3000H at 105°C
- Miniatured
- Low Impedance ,High Current
- Switching Power Supply

◆ SPECIFICATION



Items	Characteristics																		
Operating Temperature Range(°C)	-40~+105°C																		
Voltage range (V)	6.3~100V																		
Capacitance Range (μF)	0.47~18000 μF																		
Capacitance Tolerance	±20% (at 20°C, 120Hz)																		
leakage current (μA)	After 2 minute at 20°C application of rated voltage, leakage current is not more than 0.01CV or 3μA, whichever is greater C:Nominal Capacitance (μF) V :Rated Voltage (V)																		
Dissipation Factor(Tan δ)	<table border="1"> <tr> <td>WV (V)</td> <td>6.3</td> <td>10</td> <td>16</td> <td>25</td> <td>35</td> <td>50</td> <td>63</td> <td>100</td> </tr> <tr> <td>Tan δ (max)</td> <td>0.18</td> <td>0.16</td> <td>0.14</td> <td>0.12</td> <td>0.10</td> <td>0.09</td> <td>0.08</td> <td>0.08</td> </tr> </table> <p>For Capacitances >1000 μF add 0.02 to every 1000 μF. (at 20°C, 120Hz)</p>	WV (V)	6.3	10	16	25	35	50	63	100	Tan δ (max)	0.18	0.16	0.14	0.12	0.10	0.09	0.08	0.08
WV (V)	6.3	10	16	25	35	50	63	100											
Tan δ (max)	0.18	0.16	0.14	0.12	0.10	0.09	0.08	0.08											
LowTemperature Characteristics	<table border="1"> <tr> <td>Rated Voltage (V)</td> <td>6.3~100V</td> </tr> <tr> <td>Z-40°C/Z+20°C</td> <td>3</td> </tr> </table> <p>(at 120Hz)</p>	Rated Voltage (V)	6.3~100V	Z-40°C/Z+20°C	3														
Rated Voltage (V)	6.3~100V																		
Z-40°C/Z+20°C	3																		
Load Life	<p>The following specifications shall be satisfied when the capacitors are restored to 20°C after subjected to DCvoltage with the rated rippled current is applied for 2000-3000 hours at 105°C</p> <table border="1"> <tr> <td>Capacitance change</td> <td>Within± 20%initial value</td> </tr> <tr> <td>D. F. (Tan δ)</td> <td>Not more than 200% of specified value</td> </tr> <tr> <td>leakage current</td> <td>Not more than specified value</td> </tr> </table> <p>2023年起1月起, ZC系列承认2000H~3000H寿命; 不论尺寸 Starting from 2023, the ZC series will have a lifespan of 2000~3000H; Regardless of size</p>	Capacitance change	Within± 20%initial value	D. F. (Tan δ)	Not more than 200% of specified value	leakage current	Not more than specified value												
Capacitance change	Within± 20%initial value																		
D. F. (Tan δ)	Not more than 200% of specified value																		
leakage current	Not more than specified value																		
Shelf Life	<p>The following specifications shall be satisfied when the capacitors are restored to 20°C after exposing them for 1,000hours at 105°Cwithout voltage applied .Before the measurement ,the capacitor shall be preconditioned by applying voltage according to Item 4.1 of JIS C 5101-4.</p> <table border="1"> <tr> <td>Capacitance change</td> <td>Within± 20%initial value</td> </tr> <tr> <td>D. F. (Tan δ)</td> <td>Not more than 200% of specified value</td> </tr> <tr> <td>leakage current</td> <td>Not more than 200% of specified value</td> </tr> </table>	Capacitance change	Within± 20%initial value	D. F. (Tan δ)	Not more than 200% of specified value	leakage current	Not more than 200% of specified value												
Capacitance change	Within± 20%initial value																		
D. F. (Tan δ)	Not more than 200% of specified value																		
leakage current	Not more than 200% of specified value																		

◆ DIMENSIONS(mm)



ΦD	5	6.3	8	10	13	16	18
F	2.0	2.5	3.5	5.0	5.0	7.5	7.5
Φd	0.5	0.5	0.5	0.6	0.6	0.8	0.8
a	1.5	1.5	1.5	2.0	2.0	2.0	2.0

◆ Frequency Coefficient

Frequency	120Hz	1KHz	10KHz	100KHz
Cap (μF)				
0.47~180	0.40	0.75	0.90	1.00
220~560	0.50	0.83	0.93	1.00
680~1800	0.60	0.86	0.95	1.00
2200~3900	0.75	0.90	0.97	1.00
4700~18000	0.85	0.95	0.98	1.00

◆ Temperature Coefficient

Temperature (°C)	+70	+85	+105
Coefficient	1.96	1.68	1.00



◆ STANDARD RATINGS

UR (Surge Voltage) Code	Rated Capacitance	Max ESR 20°C100kHz	Rated Ripple Current 105 °C100kHz	Size φD×L	
(V)	(μF)	(Ω)	(mA rms)	(mm)	
6.3 (8) 0J	150	0.75	175	5×11	
	330	0.33	290	6.3×12	
	470	0.18	400	6.3×15	
	680	0.12	555	8×12	
	820	0.090	760	10×12.5	
	1000	0.090	730	8×16	
	1200		0.080	810	8×20
			0.068	1050	10×16
	1500	0.052	1220	10×20	
	2200	0.045	1440	10×25	
	2700	0.037	1690	10×30	
	3300	0.038	1660	13×20	
	3900	0.030	1950	13×25	
	4700	0.025	2310	13×30	
	5600		0.022	2510	13×35
			0.029	2210	16×20
	6800		0.017	2870	13×40
			0.022	2560	16×25
			0.028	2490	18×20
	8200	0.019	3010	16×31.5	
10000		0.017	3150	16×35.5	
		0.020	2740	18×25	
12000		0.015	3710	16×40	
		0.018	3330	18×31.5	
15000	0.016	3680	18×35.5		
18000	0.015	3800	18×40		
10 (13) 1A	100	0.65	175	5×11	
	220	0.32	290	6.3×12	
	330	0.22	400	6.3×15	
	470	0.13	555	8×12	
	680		0.090	730	8×16
			0.090	760	10×12.5
	1000		0.080	810	8×20
			0.068	1050	10×16
	1200	0.052	1220	10×20	
	1500	0.045	1440	10×25	
	1800	0.037	1690	10×30	
	2200	0.038	1660	13×20	
	3300	0.030	1950	13×25	
	3900		0.025	2310	13×30
			0.029	2210	16×20
	4700	0.022	2510	13×35	
	5600		0.017	2870	13×40
			0.022	2560	16×25
			0.028	2490	18×20
	6800		0.019	3010	16×31.5
0.02			2740	18×25	
8200		0.017	3150	16×35.5	
		0.018	3330	18×31.5	
10000		0.015	3710	16×40	
		0.016	3680	18×35.5	
12000	0.015	3800	18×40		



◆ STANDARD RATINGS

UR (Surge Voltage) Code	Rated Capacitance	Max ESR 20°C100kHz	Rated Ripple Current 105 °C100kHz	Size φD×L	
(V)	(μF)	(Ω)	(mA rms)	(mm)	
16 (20) 1C	47	0.85	175	5×11	
	100	0.4	290	6.3×12	
	220	0.22	400	6.3×15	
	330	0.12	555	8×12	
	470	0.090	730	8×16	
			760	10×12.5	
	560	0.080	810	8×20	
	680	0.068	1050	10×16	
	1000	0.052	1220	10×20	
	1200	0.045	1440	10×25	
	1500	0.037	1690	10×30	
			1660	13×20	
	2200	0.030	1950	13×25	
	2700	0.025	2310	13×30	
			2210	16×20	
	3300	0.022	2510	13×35	
	3900	0.017	2870	13×40	
			0.022	2560	16×25
			0.028	2490	18×20
	4700	0.019	3010	16×31.5	
0.020			2740	18×25	
5600	0.017	3150	16×35.5		
		0.018	3330	18×31.5	
6800	0.015	3710	16×40		
8200	0.016	3680	18×35.5		
10000	0.015	3800	18×40		
25 (32) 1E	47	0.80	175	5×11	
	100	0.32	290	6.3×12	
	150	0.22	400	6.3×15	
	220	0.13	555	8×12	
	330	0.090	730	8×16	
			760	10×12.5	
	390	0.080	810	8×20	
	470	0.068	1050	10×16	
	680	0.052	1220	10×20	
	820	0.045	1440	10×25	
	1000	0.037	1690	10×30	
			0.038	1660	13×20
	1500	0.030	1950	13×25	
	1800	0.025	2310	13×30	
			0.029	2210	16×20
	2200	0.022	2510	13×35	
			0.028	2490	18×20
	2700	0.017	2870	13×40	
			0.022	2560	16×25
	3300	0.019	3010	16×31.5	
			0.020	2740	18×25
	3900	0.017	3150	16×35.5	
			0.018	3330	18×31.5
	4700	0.015	3710	16×40	
			0.016	3680	18×35.5
5600	0.015	3800	18×40		



◆ STANDARD RATINGS

UR (Surge Voltage) Code	Rated Capacitance	Max ESR 20°C100kHz	Rated Ripple Current 105°C100kHz	Size φD×L
(V)	(μF)	(Ω)	(mA rms)	(mm)
35 (44) 1V	33	0.80	175	5×11
	56	0.4	290	6.3×12
	100	0.21	400	6.3×15
	150	0.13	555	8×12
	220	0.090	730	8×16
		0.090	760	10×12.5
	270	0.080	810	8×20
	330	0.068	1050	10×16
	470	0.052	1220	10×20
	560	0.045	1440	10×25
	680	0.037	1690	10×30
		0.038	1660	13×20
	1000	0.030	1950	13×25
	1200	0.025	2310	13×30
		0.029	2210	16×20
	1500	0.022	2510	13×35
	1800	0.017	2870	13×40
		0.022	2560	16×25
		0.028	2490	18×20
	2200	0.019	3010	16×31.5
0.020		2740	18×25	
2700	0.017	3150	16×35.5	
	0.018	3330	18×31.5	
3300	0.015	3710	16×40	
	0.016	3680	18×35.5	
3900	0.015	3800	18×40	
50 (63) 1H	0.47	5.50	17	5×11
	1	4	30	5×11
	2.2	2.5	43	5×11
	3.3	2.2	53	5×11
	4.7	1.9	88	5×11
	10	1.5	100	5×11
	22	0.9	155	5×11
	33	0.62	230	6.3×12
	47	0.45	260	6.3×12
	68	0.31	360	6.3×15
	100	0.22	485	8×12
	120	0.160	635	8×16
		0.160	620	10×12.5
	180	0.120	730	8×20
	220	0.088	1050	10×16
	270	0.082	1120	10×20
	330	0.073	1250	10×25
	390	0.054	1500	10×30
	470	0.048	1660	13×20
	560	0.044	1840	13×25
	680	0.039	2220	13×30
	820	0.033	2290	13×35
		0.042	1980	16×20
	1000	0.029	2500	13×40
		0.034	2240	16×25
	1200	0.028	2700	16×30
		0.029	2610	18×25
1500	0.025	2800	16×35.5	
1800	0.021	3200	16×40	
	0.025	3000	18×31.5	
2200	0.023	3100	18×35.5	
2700	0.02	3400	18×40	



◆ STANDARD RATINGS

UR (Surge Voltage) Code	Rated Capacitance	Max ESR 20°C100kHz	Rated Ripple Current 105°C100kHz	Size ΦD×L
(V)	(μF)	(Ω)	(mA rms)	(mm)
63 (79) 1J	12	1.9	145	5×11
	22	1.0	240	6.3×12
	39	0.61	330	6.3×15
	68	0.34	405	8×12
	100	0.27	535	8×16
		0.255	540	10×12.5
	120	0.190	600	10×16
	150	0.210	690	8×20
	180	0.145	890	10×20
	220	0.130	1050	10×25
	330	0.090	1300	10×30
		0.085	1290	13×20
	390	0.070	1720	13×25
	470	0.055	2090	13×30
		0.059	1770	16×20
	680	0.047	2270	13×35
		0.050	2160	16×25
		0.055	2290	18×20
	820	0.042	2560	13×40
		0.043	2670	16×31.5
0.043		2590	18×25	
1000	0.036	2770	16×35.5	
1200	0.030	2850	16×40	
	0.032	2950	18×31.5	
1500	0.030	3100	18×31.5	
1800	0.025	3210	18×40	
100 (125) 2A	5.6	1.9	57	5×11
	8.2	1.3	74	6.3×12
	12	1.1	78	6.3×12
	18	0.62	85	6.3×15
	22	0.53	275	8×12
	27	0.47	319	10×12.5
	33	0.35	360	8×16
		0.32	424	10×16
	39	0.27	490	8×20
	56	0.25	499	10×20
	68	0.18	634	10×25
		0.20	613	13×15
	100	0.15	739	10×30
		0.13	805	13×20
	120	0.11	857	13×25
		0.13	706	16×15
	150	0.12	871	18×15
	180	0.090	1120	13×30
		0.110	916	16×20
	220	0.075	1240	13×35
		0.081	1290	16×25
	270	0.060	1330	13×40
		0.085	1170	18×20
	330	0.059	1630	16×31.5
		0.071	1500	18×25
	390	0.052	1750	16×35.5
		0.058	1630	18×31.5
	470	0.045	1920	16×40
560	0.054	1920	18×35.5	
680	0.041	2100	18×40	